

DRAIN LINÉAIRE

Couplage de membrane & raccord d'union

Plaques décoratives :



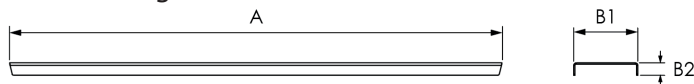
Unité : AD_04CL_6

CODE #	LONGEUR	CLZ	LARGEUR	CLZ	ÉPAISSEUR	CLZ	POIDS #CLA	POIDS #CLB	POIDS #CLC	POIDS #CLZ
AD2404CL_6	24 1/8" 613 mm	26 3/8" 670 mm	3 1/2" 89 mm	5 1/2" 140mm	1" 25 mm	4" 102mm	1.5 lbs 0.68 kg	1.2 lbs 0.54 kg	3.8 lbs 1.72 kg	5 lbs 2.37 kg
AD2604CL_6	26 5/8" 676 mm	28 3/8" 721 mm	3 1/2" 89 mm	5 1/2" 140mm	1" 25 mm	3 3/4" 95 mm	1.6 lbs 0.73 kg	1.3 lbs 0.59 kg	4 lbs 1.81 kg	5.2 lbs 2.36 kg
AD3004CL_6	30 1/8" 765 mm	32 3/8" 822 mm	3 1/2" 89 mm	5 1/2" 140mm	1" 25 mm	3 7/8" 98 mm	2 lbs 0.91 kg	1.5 lbs 0.68 kg	4.8 lbs 2.18 kg	5.8 lbs 2.63 kg
AD3604CL_6	36" 914 mm	38 1/8" 987 mm	3 1/2" 89 mm	5 1/2" 140mm	1" 25 mm	3 7/8" 98 mm	2.4 lbs 1.09 kg	1.7 lbs 0.77 kg	5.7 lbs 2.59 kg	6.6 lbs 2.99 kg
AD4204CL_6	42 1/8" 1 083 mm	44 3/8" 1140mm	3 1/2" 89 mm	5 1/2" 140mm	1" 25 mm	3 7/8" 98 mm	2.6 lbs 1.18 kg	2.2 lbs 1 kg	6.6 lbs 2.99 kg	7.9 lbs 3.58 kg
AD4804CL_6	48 1/8" 1 222 mm	51" 1295mm	3 1/2" 89 mm	5 1/2" 140mm	1" 25 mm	3 7/8" 98 mm	3.2 lbs 1.45 kg	2.3 lbs 1.04 kg	7.8 lbs 3.54kg	8.6 lbs 3.90 kg
AD5404CL_6	54 1/8" 1 378mm	57 1/4" 1454mm	3 3/8" 86 mm	5 1/2" 140mm	1" 25 mm	3 7/8" 98 mm	3.4 lbs 1.54 kg	2.6 lbs 1.18 kg	8.6 lbs 3.90 kg	9.6 lbs 4.35 kg
AD6004CL_6	60 3/8" 1 534 mm	62 1/2" 1588mm	3 3/8" 86 mm	5 1/2" 140mm	1" 25 mm	3 3/4" 95 mm	3.8 lbs 1.72 kg	2.8 lbs 1.27 kg	9.4 lbs 4.26 kg	10.7 lbs 4.85 kg
AD6604CL_6	66 3/8" 1 686 mm	68 1/2" 1740mm	3 1/2" 89 mm	5 1/2" 140mm	1" 25 mm	3 7/8" 98 mm	4.1 lbs 1.86 kg	3.1 lbs 1.41 kg	10.5 lbs 4.76 kg	11.7 lbs 5.31 kg

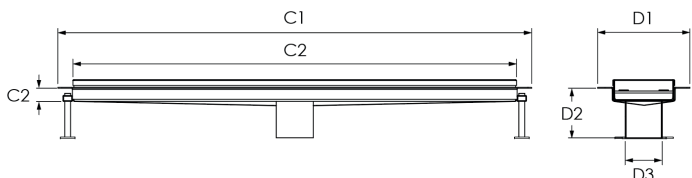
nombre total de boîte : 1

	A	B1	B2	C1	C2	C3	D1	D2	D3
24"	23 3/4" 604mm	3 1/8" 79mm	15mm	25 3/8" 651mm	24" 609mm	1 1/2" 38mm	3 3/8" 86mm	3 1/4" 83mm	Ø 2" 51mm
26"	25 3/4" 655mm			27 3/8" 702mm	26" 660mm				
30"	29 3/4" 757mm			31 3/8" 804mm	30" 762mm				
36"	35 3/4" 909mm			37 3/8" 956mm	36" 914mm				
42"	41 3/4" 1062mm			43 3/8" 1109mm	42" 1067mm				
48"	47 3/4" 1215mm			49 3/8" 1261mm	48" 1219mm				
54"	53 3/4" 1366mm			55 3/8" 1414mm	54" 1372mm				
60"	59 3/4" 1519mm			61 3/8" 1566mm	60" 1524mm				
66"	65 3/4" 1671mm	67 3/8" 1718mm	66" 1676mm						

Dessin de la grille



Dessin du caniveau



De simple et fonctionnel à chic et moderne, nos drains linéaires s'adaptent à tout style de douche. Ils sont simples à installer, faciles à ajuster et sont offerts avec 6 modèles de grilles élégantes qui sauront s'harmoniser parfaitement à votre douche.

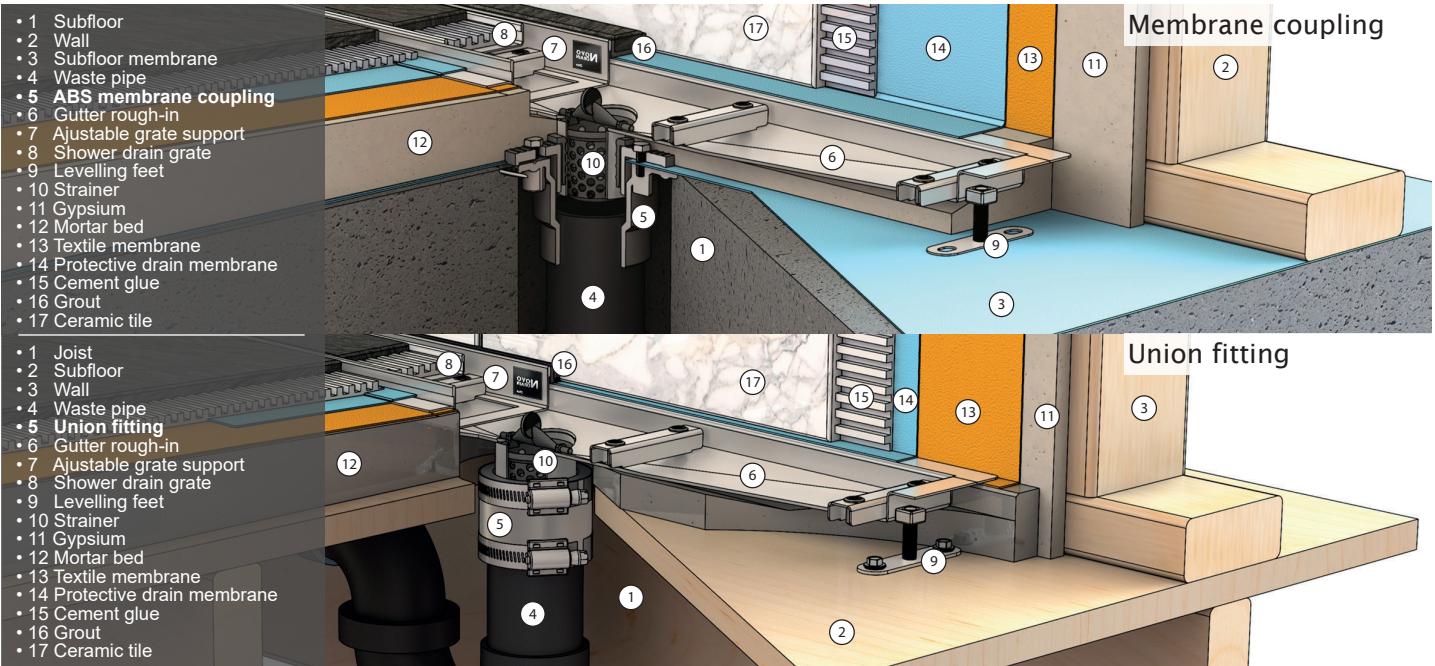
- Permet une pente directe vers les points d'égouttement,
- Installation au centre ou sur les côtés de la base,
- 6 choix de grilles élégantes,
- Crépine et crochets inclus,
- Pente d'égouttement intérieure,
- Membrane protectrice préinstallée,
- Ajustabilité de la hauteur de la grille en fonction de la céramique,
- Ancrage du caniveau sur pattes ajustables,
- Acier inoxydable 304

** Rapportez-vous au code et norme de plomberie de votre territoire. **

Les dimensions sont soumises à des tolérances de fabrication et peuvent changer sans préavis.

www.zitta.ca





- 1 Subfloor
- 2 Wall
- 3 Subfloor membrane
- 4 Waste pipe
- 5 **ABS membrane coupling**
- 6 Gutter rough-in
- 7 Adjustable grate support
- 8 Shower drain grate
- 9 Levelling feet
- 10 Strainer
- 11 Gypsum
- 12 Mortar bed
- 13 Textile membrane
- 14 Protective drain membrane
- 15 Cement glue
- 16 Grout
- 17 Ceramic tile

- 1 Joist
- 2 Subfloor
- 3 Wall
- 4 Waste pipe
- 5 **Union fitting**
- 6 Gutter rough-in
- 7 Adjustable grate support
- 8 Shower drain grate
- 9 Levelling feet
- 10 Strainer
- 11 Gypsum
- 12 Mortar bed
- 13 Textile membrane
- 14 Protective drain membrane
- 15 Cement glue
- 16 Grout
- 17 Ceramic tile

LINEAR DRAIN

membrane coupling & union fitting

Decorative plates :



Unit : AD_04CL_6

CODE #	LENGHT	CLZ	WIDTH	CLZ	TICKNESS	CLZ	WEIGHT #CLA	WEIGHT #CLB	WEIGHT #CLC	WEIGHT #CLZ
AD2404CL_6	24 1/8" 613 mm	26 3/8" 670 mm	3 1/2" 89 mm	5 1/2" 140mm	1" 25 mm	4" 102mm	1.5 lbs 0.68 kg	1.2 lbs 0.54 kg	3.8 lbs 1.72 kg	5 lbs 2.37 kg
AD2604CL_6	26 3/8" 676 mm	28 3/8" 721 mm	3 1/2" 89 mm	5 1/2" 140mm	1" 25 mm	3 3/4" 95 mm	1.6 lbs 0.73 kg	1.3 lbs 0.59 kg	4 lbs 1.81 kg	5.2 lbs 2.36 kg
AD3004CL_6	30 3/8" 765 mm	32 3/8" 822 mm	3 1/2" 89 mm	5 1/2" 140mm	1" 25 mm	3 3/4" 98 mm	2 lbs 0.91 kg	1.5 lbs 0.68 kg	4.8 lbs 2.18 kg	5.8 lbs 2.63 kg
AD3604CL_6	36" 914 mm	38 3/8" 987 mm	3 1/2" 89 mm	5 1/2" 140mm	1" 25 mm	3 3/4" 98 mm	2.4 lbs 1.09 kg	1.7 lbs 0.77 kg	5.7 lbs 2.59 kg	6.6 lbs 2.99 kg
AD4204CL_6	42 3/8" 1 083 mm	44 3/8" 1140mm	3 1/2" 89 mm	5 1/2" 140mm	1" 25 mm	3 3/8" 98 mm	2.6 lbs 1.18 kg	2.2 lbs 1 kg	6.6 lbs 2.99 kg	7.9 lbs 3.58 kg
AD4804CL_6	48 3/8" 1 222 mm	51" 1295mm	3 1/2" 89 mm	5 1/2" 140mm	1" 25 mm	3 3/8" 98 mm	3.2 lbs 1.45 kg	2.3 lbs 1.04 kg	7.8 lbs 3.54kg	8.6 lbs 3.90 kg
AD5404CL_6	54 1/4" 1 378mm	57 1/4" 1454mm	3 3/8" 86 mm	5 1/2" 140mm	1" 25 mm	3 3/8" 98 mm	3.4 lbs 1.54 kg	2.6 lbs 1.18 kg	8.6 lbs 3.90 kg	9.6 lbs 4.35 kg
AD6004CL_6	60 3/8" 1 534 mm	62 1/2" 1588mm	3 3/8" 86 mm	5 1/2" 140mm	1" 25 mm	3 3/4" 95 mm	3.8 lbs 1.72 kg	2.8 lbs 1.27 kg	9.4 lbs 4.26 kg	10.7 lbs 4.85 kg
AD6604CL_6	66 3/8" 1 686 mm	68 1/2" 1740mm	3 1/2" 89 mm	5 1/2" 140mm	1" 25 mm	3 3/8" 98 mm	4.1 lbs 1.86 kg	3.1 lbs 1.41 kg	10.5 lbs 4.76 kg	11.7 lbs 5.31 kg

total number of box : 1

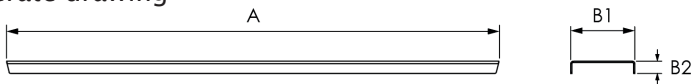
	A	B1	B2	C1	C2	C3	D1	D2	D3
24"	23 3/4" 604mm	3 1/8" 79mm	15mm	25 3/8" 651mm	24" 609mm	1 1/2" 38mm	3 3/8" 86mm	3 1/4" 83mm	Ø 2" 51mm
26"	25 3/4" 655mm			27 3/8" 702mm	26" 660mm				
30"	29 3/4" 757mm			31 3/8" 804mm	30" 762mm				
36"	35 3/4" 909mm			37 3/8" 956mm	36" 914mm				
42"	41 3/4" 1062mm			43 3/8" 1109mm	42" 1067mm				
48"	47 3/4" 1215mm			49 3/8" 1261mm	48" 1219mm				
54"	53 3/4" 1366mm			55 3/8" 1414mm	54" 1372mm				
60"	59 3/4" 1519mm			61 3/8" 1566mm	60" 1524mm				
66"	65 3/4" 1671mm	67 3/8" 1718mm	66" 1676mm						

From simple and functional to chic and modern, our linear drains will fit any style of shower design. They are simple to install, easy to adjust and are available in 6 stylish grate designs that will blend perfectly with your shower interior.

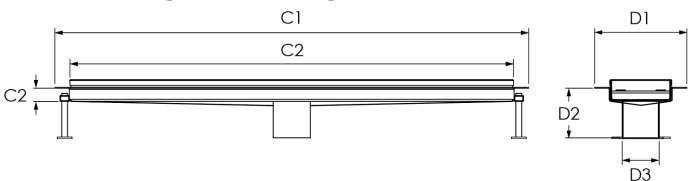
- Allows a direct slope to the drip point,
- Installation in the center or on the sides of the base,
- 6 choices of stylish grates,
- Strainer and hook included,
- Interior drip slope,
- Pre-installed protective membrane,
- Adjustability of the height of the grate according to the ceramic,
- Anchoring of the gutter rough-in on adjustable legs,
- Stainless steel 304

** Refer to the plumbing code and norm in your area. **

Grate drawing



Gutter rough-in drawing



The dimensions are subject to manufacturer's tolerance and may change without notice.

www.zitta.ca

